



Controlled Cab Pressurization



Cabaire® cab pressurization is designed to allow the operator to “*Breathe Easy*” with clean air while at the same time keeping the cab clean.

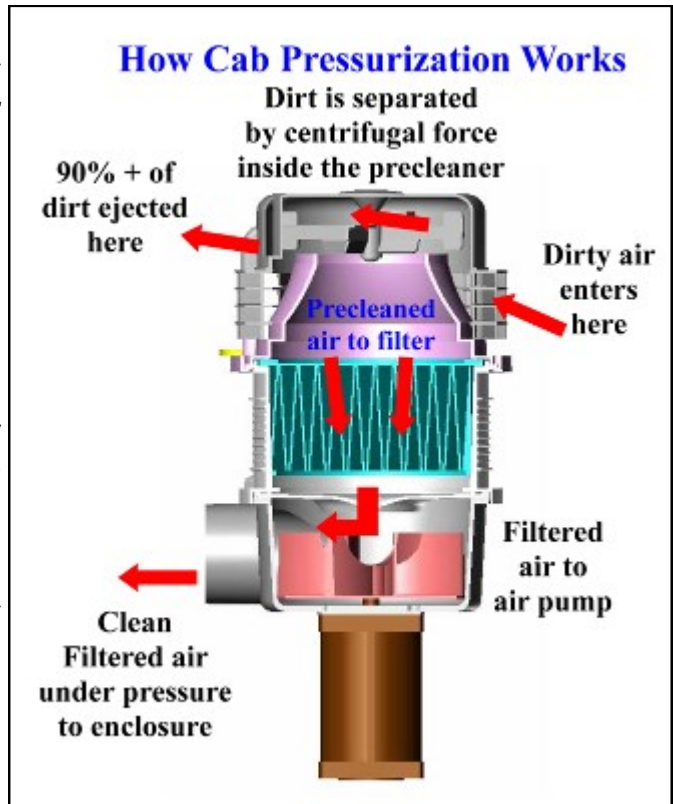
Cabaire® incorporates an air pump not a fan to generate a positive pressure in enclosures where the operator works. This positive pressure pushes dirt out open areas and leaks in the enclosure which prevents dust from coming in the cab.



CABAIRE™ “BREATHE EASY”

Enginaire’s Cabaire™ cab pressurization unit (ECP) combines our proven air pre-cleaner with our proven VLR air filter system to give you a very efficient self contained filter air pump. As air is drawn into the air conditioner, the Cabaire removes the large dirt particles with the built in centrifugal pre cleaner.

The air is then filtered and blown into the air conditioner intake duct with our self contained air pump. All in a very small space. By having a positive pressure on the incoming air chamber, the air conditioner can do it’s job easier with less power required. Even when the air conditioner is not being used, the clean air from the ECP is blown into the cab creating a positive pressure which prevents dirt from entering the cab through leaks in it’s doors and spaces.



Also works great to keep dust out of other enclosures like electrical boxes, instrument panels, computer rooms, etc.

Enginaire’s Cabaire™ uses it’s own high pressure air pump not a fan to deliver a high volume of dual filtered air into your enclosure which then has a positive air pressure on the inside. When the enclosure has a positive pressure, dirt is forced out of the doors, windows, and other unsealed areas instead of being drawn into the enclosure. You stay clean, your electronics and other instruments stay clean, while you “breathe easy”.

Enginaire’s Cabaire™ is available in 12/24 volt DC for mobile equipment, and 115 volt AC for in plant use. Cabaire incorporates Enginaire’s proven air pre-cleaner along with it’s patented inline filter to make a highly efficient pressurizer which takes up very little space.

Cabaire

Model EL

Extended Length
 Precleaner, Long Filter, and
 Pressurizer Pump
 Uses Charcoal, HEPA, or
 Paper filters



Cabaire

Model S
 Standard

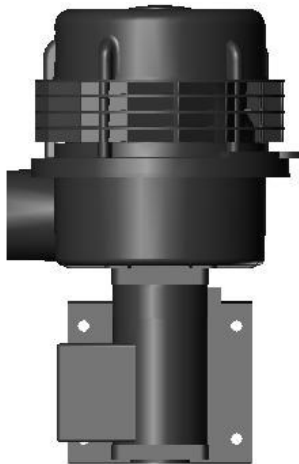
Precleaner, Filter and
 Pressurizer Pump



Cabaire

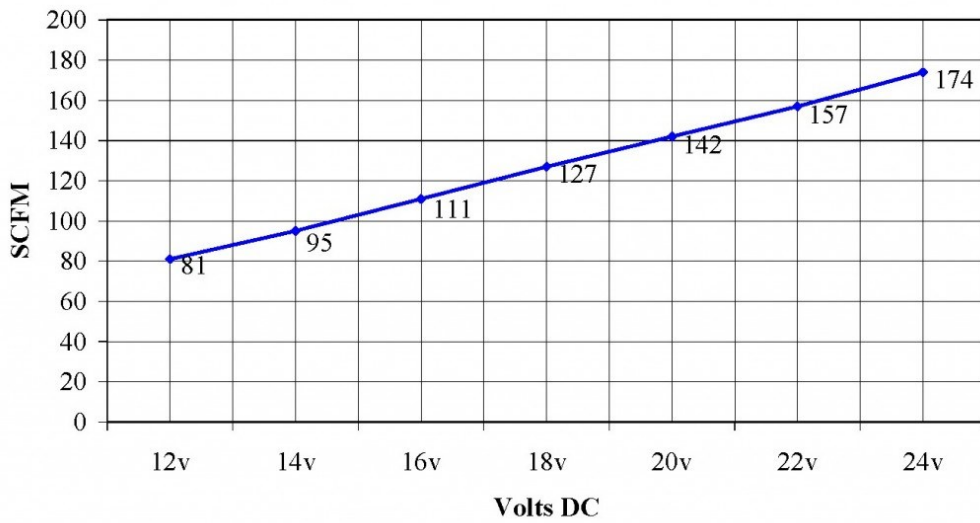
Model PO

Precleaner and pump only
 Use with Down Stream Filter

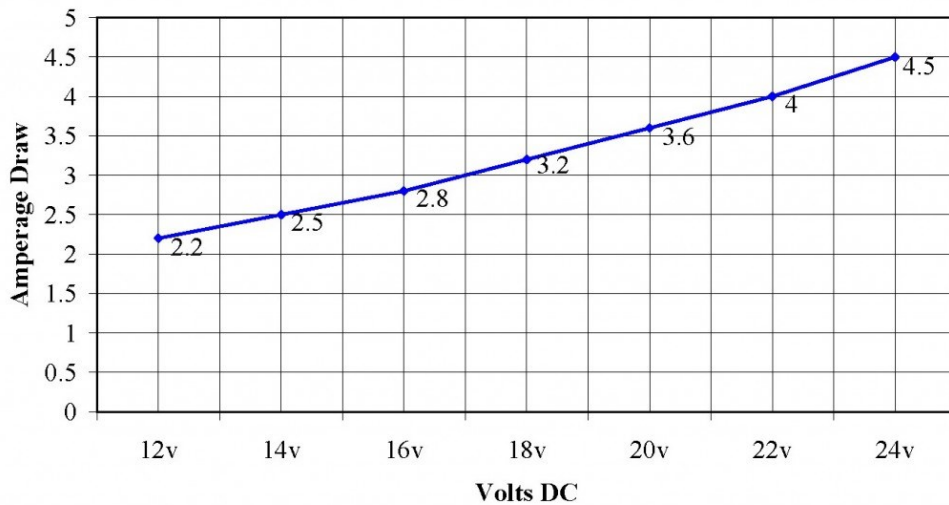


Also works great to keep dust out of other enclosures like electrical boxes, instrument panels, computer rooms, etc.

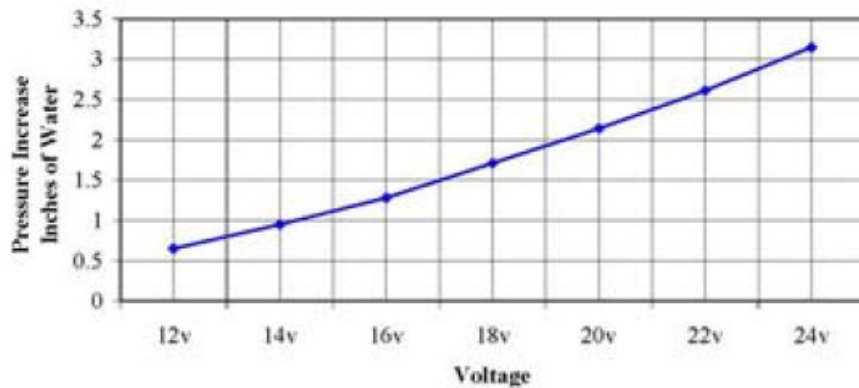
Enginaire Cabaire 12/24v DC Airflow vs. Voltage



Enginaire Cabaire 12/24v DC Voltage vs. Amperage draw

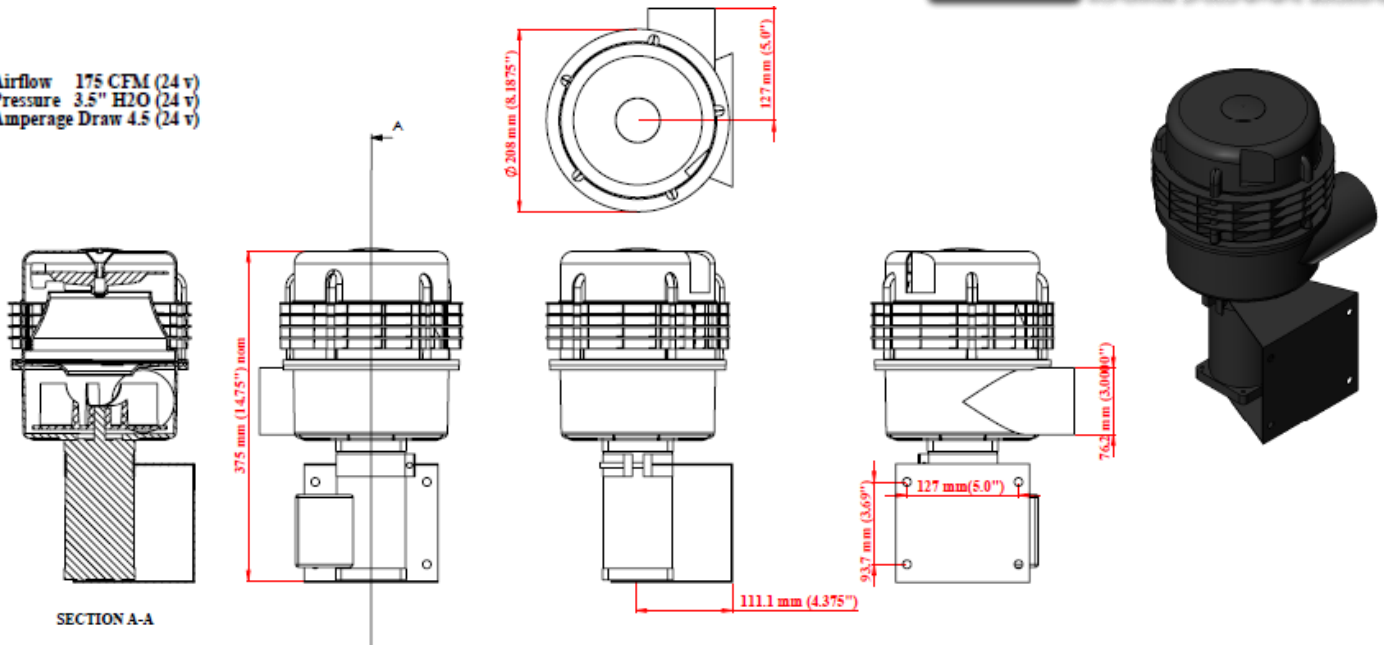


Cabaire Pressure Increase Inches of Water in Sealed Chamber 12/24 Volt Motor

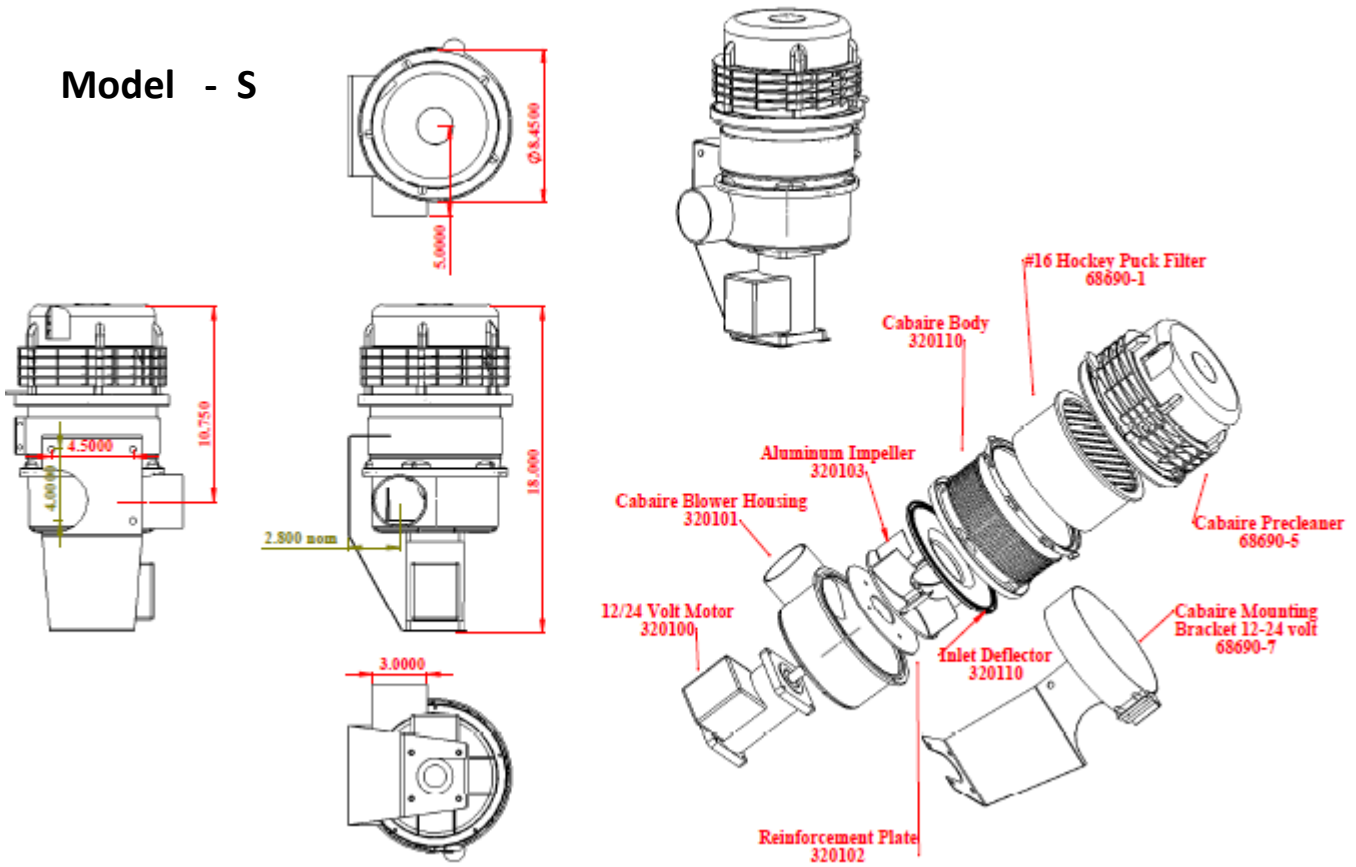


Model - PO

Airflow 175 CFM (24 v)
 Pressure 3.5" H2O (24 v)
 Amperage Draw 4.5 (24 v)

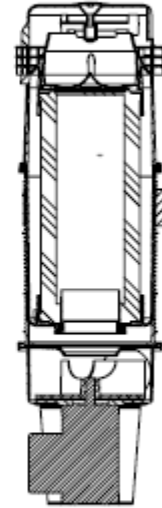
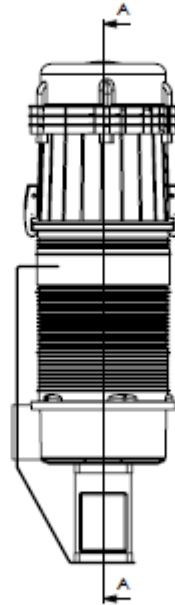
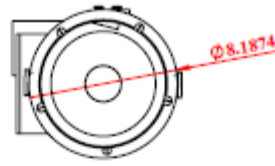
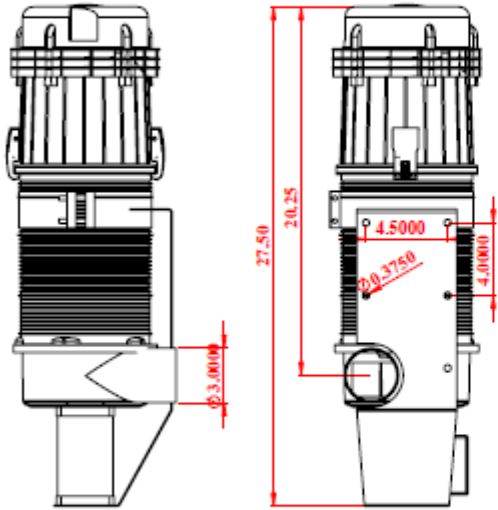


Model - S



Model - EL

Airflow 175 CFM (24 v)
Pressure 3.5" H2O (24 v)
Amperage Draw 4.5 (24 v)



SECTION A-A

