



Model M



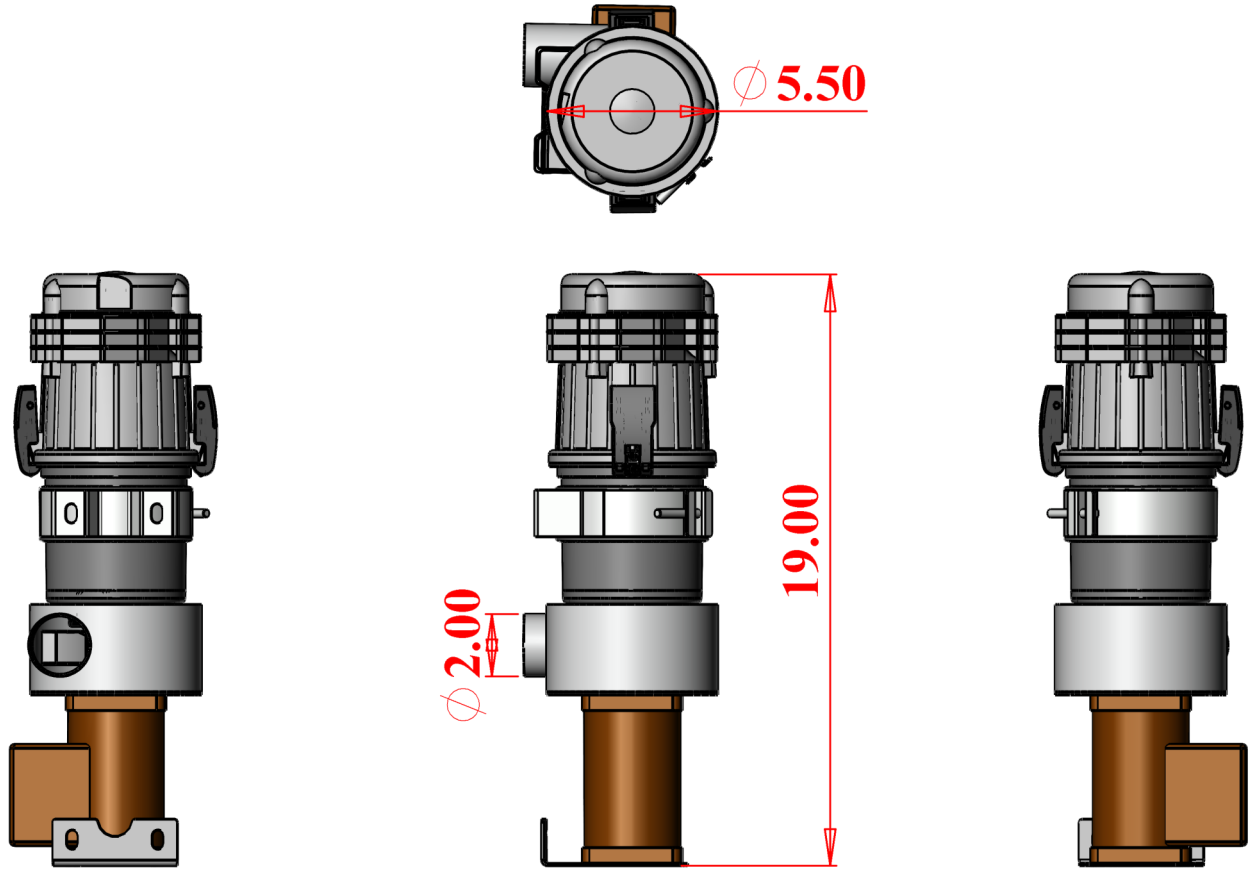
We now offer our Model M Cabaire pressurization unit. The Model M is ideal for smaller enclosures that want to pressurize the cab and keep the operator safe.

- **Smaller profile allows mounting in compact areas**
- **Smaller profile maximizes operator visibility**
- **Built in Enginaire precleaner increases filter life**
- **High efficiency NANO fiber element**
- **Stainless Steel mounting brackets**
- **Comes standard with 12 / 24 volt brushed motor**
- **Available with 12 or 24 volt brushless motor**
- **APC or ICP pressure sensitive controls available**
- **Runs whisper quiet**



122 South River Street * Janesville, WI 53548
800-359-1704 * 608-755-5466 * Fax 608-755-5460
www.enginaire.com * cleanair@enginaire.com

Enginaire® Model M Cabaire®



45 CFM at 12 volt
90 CFM at 24 volt

