
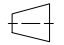


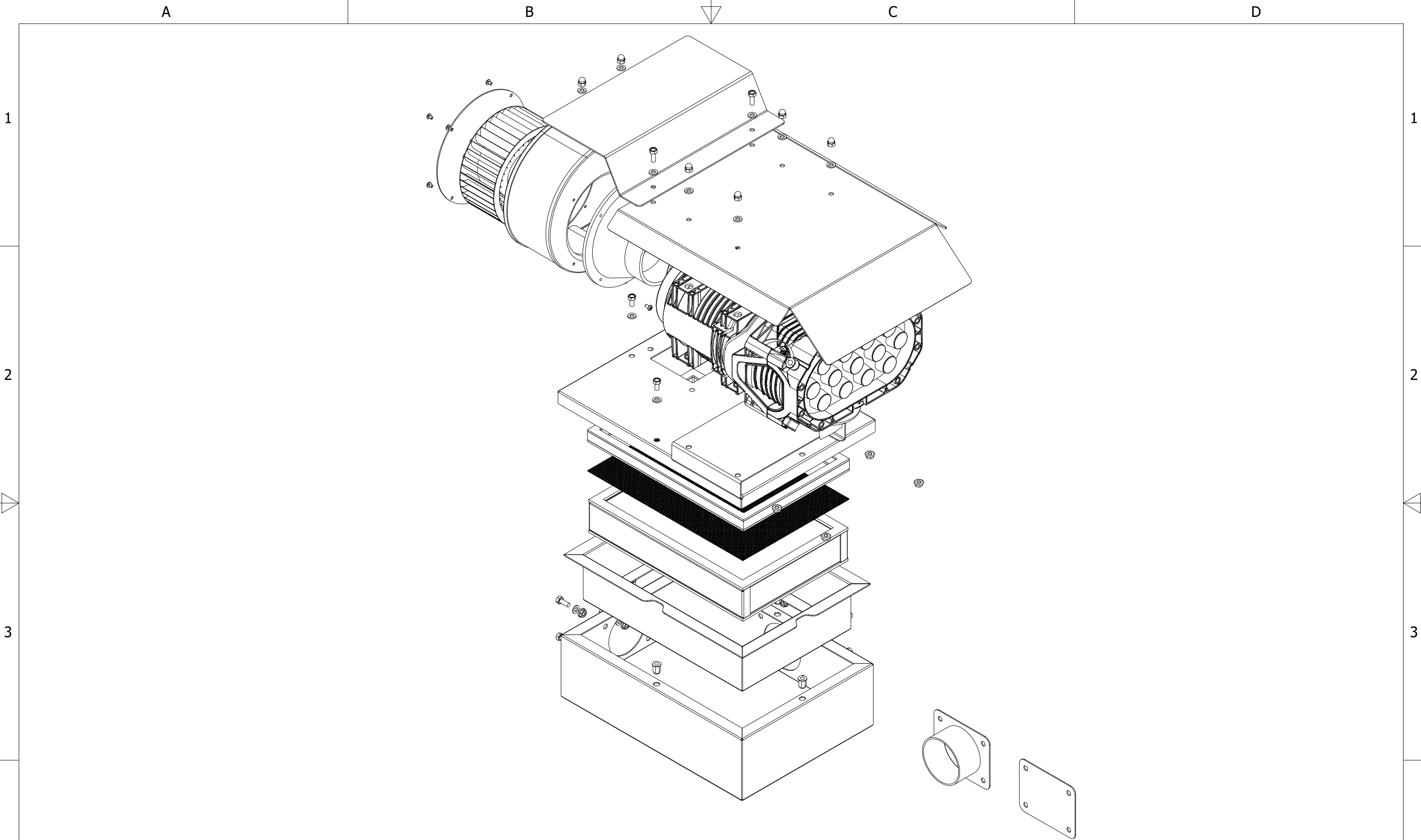
GENERAL TOLERANCES UNLESS INDICATED		ALL DIMENSIONS IN MILLIMETERS UNLESS NOTED OTHERWISE
PREPARATION AND ASSEMBLY	MACHINING	<small>COPYRIGHT: REPRODUCTION OF THIS DRAWING WHOLLY OR IN PART, IS PROHIBITED UNLESS WRITTEN PERMISSION IS OBTAINED FROM BM DRAFTING SOLUTIONS.</small>  
< 25mm ±1.0mm 25 - 600mm ±1.5mm >600mm ±2.0mm ANGLE ±1°	0 ±0.1mm 0.0 ±0.05mm 0.00 ±0.01mm	

REVISION HISTORY				
REV	DESCRIPTION	DATE	CHECKED	
1	Preliminary Issue	11/04/24	SH	
A	Issued for production	15/04/24	SH	


DRAFTING SOLUTIONS
PROPRIETARY
 BM DRAFTING SOLUTIONS
 76 SPENCER ST S
 ROMA 4455 QLD
 e: jm@bmdrafting.com.au
 p: 0451 457 854

SCALE	
1:5	
DRAWN	DATE
JM	11/04/2024
DESIGNED	DATE
SH	11/04/2024
CHECKED	DATE
SH	11/04/2024
APPROVED	DATE
SH	15/04/2024

BM DRAFTING SOLUTIONS			
CLIENT	Clean Cab		
DESCRIPTION	Cabin Pressuriser		
DRAWING DESCRIPTION	General Arrangement		
JOB NO.	DRAWING NO.	SIZE	REV.
H0085	CC-H0085-01.iam	A3	A



GENERAL TOLERANCES UNLESS INDICATED	
PREPARATION AND ASSEMBLY	MACHINING
< 25mm ±1.0mm	0 ±0.1mm
25 - 60mm ±1.5mm	0.0 ±0.05mm
>60mm ±2.0mm	0.00 ±0.01mm
ANGLE ±1°	

ALL DIMENSIONS IN MILLIMETERS UNLESS NOTED OTHERWISE

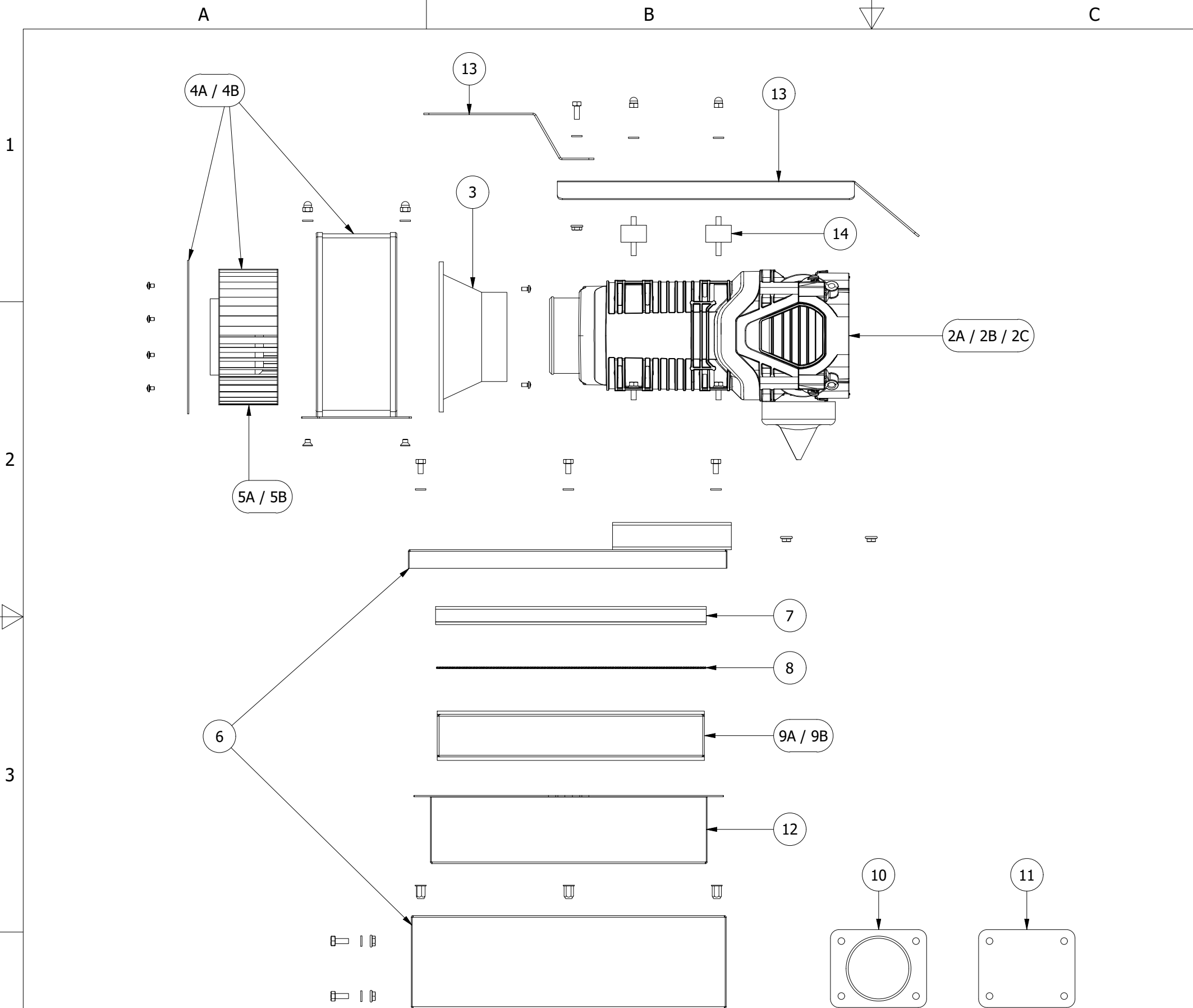
COPYRIGHT: REPRODUCTION OF THIS DRAWING WHOLLY OR IN PART, IS PROHIBITED UNLESS WRITTEN PERMISSION IS OBTAINED FROM BM DRAFTING SOLUTIONS.

REVISION HISTORY				
REV	DESCRIPTION	DATE	CHECKED	
1	Preliminary Issue	11/04/24	SH	
A	Issued for production	15/04/24	SH	

DRAFTING SOLUTIONS
 BM DRAFTING SOLUTIONS
 76 SPENCER ST S
 ROMA 4455 QLD
 e: jm@bmdrafting.com.au
 p: 0451 457 854

SCALE	
1:5	
DRAWN JM	DATE 11/04/2024
DESIGNED SH	DATE 11/04/2024
CHECKED SH	DATE 11/04/2024
APPROVED SH	DATE 15/04/2024

BM DRAFTING SOLUTIONS					
CLIENT	Clean Cab				
DESCRIPTION	Cabin Pressuriser				
DRAWING DESCRIPTION	Exploded Iso View				
JOB NO.	DRAWING NO.	SIZE	REV.		
H0085	CC-H0085-01.iam	A3	A		



PARTS LIST		
ITEM	DESCRIPTION	PART NUMBER
1A	Pressuriser assembly horizontal	24VPSBXHP
1B	Pressuriser assembly vertical	24VPSBXVP
2A	Powercore filter assembly horizontal	D080186
2B	Powercore filter assembly vertical	D080187
2C	Main air filter	P958647
3	Adapter	241216
4A	Blower assembly 24v*	K13A160DCN
4B	Blower assembly 12v*	K13A160DAN
5A	Motor assembly 24v	K3A160DCN
5B	Motor assembly 12v	K3A160DAN
6	Base box assembly box*	PRBXASS
7	Spacer*	32021715
8	Diffuser plate	PREMESH
9A	HEPA filter	H14MP3152155
9B	Carbon filter	CRB3152155
10	Duct plate	PLDUCT
11	Blanking plate	PLBLNK
13	Cover plate optional extra	PRCOVER
14	Rubber mounts	M10302040

Consumables:
 * Spacer seal 12 x 3mm P/N 15496 supplied by length mm
 * Base housing & top plate seal 18 x 3mm P/N 19597 supplied by length mm
 * Blower assembly screws 4mm x 7mm x 8
 * Adapter screws 4mm x 15mm x 4
 * Box assembly bolts 6mm x 15mm & 6mm x 25mm

Notes:
 1. Powercore filter parts list in separate document (Air-PowerCore-Edge parts). Supplied by others.

GENERAL TOLERANCES UNLESS INDICATED PREPARATION AND ASSEMBLY < 25mm ±1.0mm 25 - 60mm ±1.5mm >60mm ±2.0mm ANGLE ±1°		MACHINING 0 ±0.1mm 0.0 ±0.05mm 0.00 ±0.01mm		ALL DIMENSIONS IN MILLIMETERS UNLESS NOTED OTHERWISE COPYRIGHT: REPRODUCTION OF THIS DRAWING WHOLLY OR IN PART, IS PROHIBITED UNLESS WRITTEN PERMISSION IS OBTAINED FROM BM DRAFTING SOLUTIONS.			REVISION HISTORY			 BM DRAFTING SOLUTIONS 76 SPENCER ST S ROMA 4455 QLD e: jm@bmdrafting.com.au p: 0451 457 854	SCALE 1:5		BM DRAFTING SOLUTIONS															
				<table border="1"> <thead> <tr> <th>REV</th> <th>DESCRIPTION</th> <th>DATE</th> <th>CHECKED</th> </tr> </thead> <tbody> <tr> <td>1</td> <td>Preliminary Issue</td> <td>11/04/24</td> <td>SH</td> </tr> <tr> <td>A</td> <td>Issued for production</td> <td>15/04/24</td> <td>SH</td> </tr> </tbody> </table>			REV	DESCRIPTION	DATE		CHECKED	1	Preliminary Issue	11/04/24	SH	A	Issued for production	15/04/24	SH	<table border="1"> <thead> <tr> <th>DRAWN</th> <th>DATE</th> </tr> </thead> <tbody> <tr> <td>JM</td> <td>11/04/2024</td> </tr> </tbody> </table>		DRAWN	DATE	JM	11/04/2024	CLIENT Clean Cab		
REV	DESCRIPTION	DATE	CHECKED																									
1	Preliminary Issue	11/04/24	SH																									
A	Issued for production	15/04/24	SH																									
DRAWN	DATE																											
JM	11/04/2024																											
							<table border="1"> <thead> <tr> <th>DESIGNED</th> <th>DATE</th> </tr> </thead> <tbody> <tr> <td>SH</td> <td>11/04/2024</td> </tr> </tbody> </table>		DESIGNED	DATE	SH	11/04/2024	DESCRIPTION Cabin Pressuriser															
DESIGNED	DATE																											
SH	11/04/2024																											
							<table border="1"> <thead> <tr> <th>CHECKED</th> <th>DATE</th> </tr> </thead> <tbody> <tr> <td>SH</td> <td>11/04/2024</td> </tr> </tbody> </table>		CHECKED	DATE	SH	11/04/2024	DRAWING DESCRIPTION Exploded View															
CHECKED	DATE																											
SH	11/04/2024																											
							<table border="1"> <thead> <tr> <th>APPROVED</th> <th>DATE</th> </tr> </thead> <tbody> <tr> <td>SH</td> <td>15/04/2024</td> </tr> </tbody> </table>		APPROVED	DATE	SH	15/04/2024	JOB NO. H0085		DRAWING NO. CC-H0085-01.iam		SIZE A3	REV. A										
APPROVED	DATE																											
SH	15/04/2024																											

4

4

3

3

2

2

1

1

A

B

C

D